

Step 2: Attaching the Spindle Bar

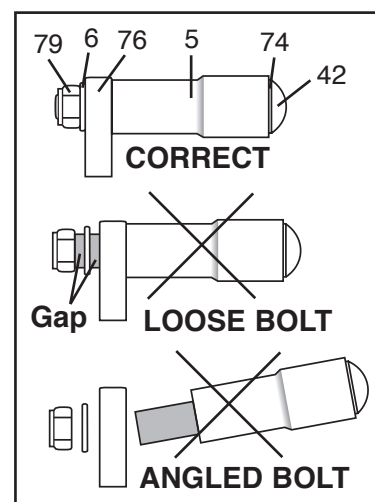
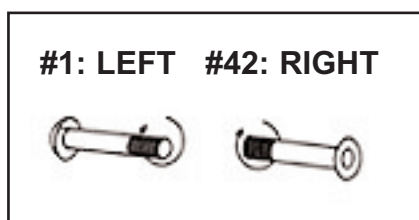
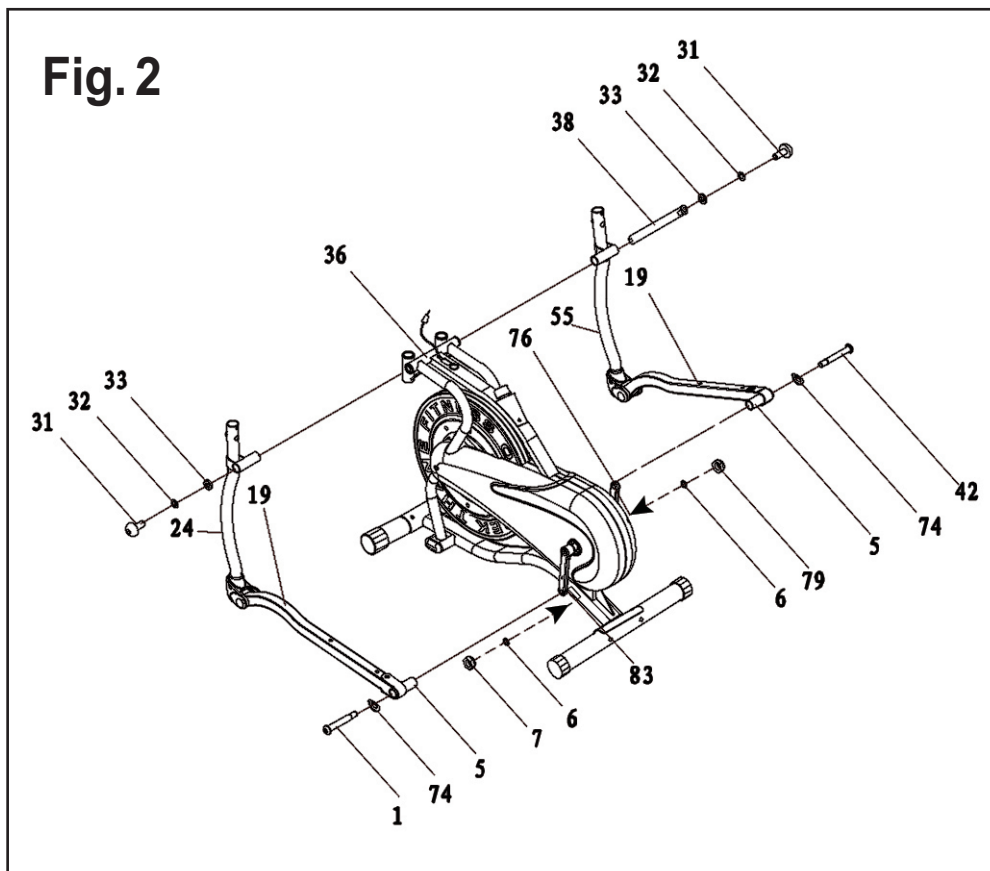
Insert the Spindle Bar (No. 38) through the Right Connecting Tube (No. 55) into the main frame, into Left Connecting Tube (No. 24). Put a D Shaper Washer (No. 33) and a Spring Washer (No. 32) on either side of the Spindle Bar and tighten both ends using the Hinge Screws (No. 31).

- 2 – “D” Shaped Washers (No. 33)
- 2 – Spring Washers (No. 32)
- 2 – Hinge Screws (No. 31)

Insert the Right Hinge Bolt (No. 42) with Arc Washer (No. 74) through the Connecting Tube (No. 5) and screw it through the Crank (No. 76) until completely tight. Put Spring Washer (No. 6) on and secure the Right Hinge Bolt (No. 42) with the Right Lock Nut (No. 79) until tight. The Spring Washer (No. 6) has to be completely flattened.

- 1 – Right Hinge Bolt (No. 42)
- 1 – Left Hinge Bolt (No. 1)
- 2 – Arch Washer (No. 74)
- 2 – Spring Washer (No. 6)
- 1 – Right Lock Nut (No. 79)
- 1 – Left Lock Nut (No. 7)
- 2 – Connecting Tube (No. 5)

Repeat this procedure for the left side.



ATTENTION:

The Right and Left Hinge Bolt (No. 42 & No. 1) must fully penetrate the nylon ring inside the Connecting Tube (No. 5) and the Right and Left Crank (No. 76 & No. 83). This will ensure the stability and durability of your Orbitrek Magnetic Elite.

In order to install hinge bolt properly, keep it perfectly straight as the bolt goes through the pedal tubing and the crankshaft. If the hinge bolt is connected to the crankshaft at an angle, damage to both the hinge and the crankshaft may occur.

CAUTION: MAKE SURE ALL THE BOLTS AND NUTS ARE TIGHT PRIOR TO WORKOUT.